

TOPFIX[®] SOLAR

HORIZONTAL SUN PROTECTION ON SOLAR ENERGY



TOPFIX® SOLAR

Horizontal sun protection on solar energy



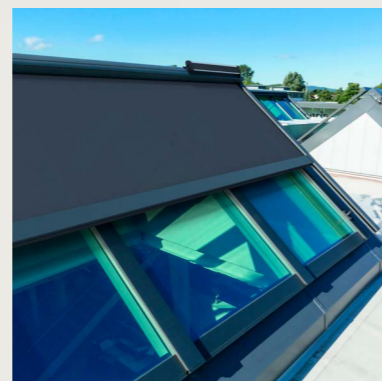
Completion of Solar range with Topfix Solar


The new Topfix Solar is the latest addition of the Renson Solar range, and that up to as much as 12 m², a unique feature. The Topfix zenithal sun protection offers an effective and stylish solution for roof windows, verandas and skylights. Now also with solar control. Especially on roofs, this is an advantage. There is no need to interrupt the roof covering to feed a power cable through.

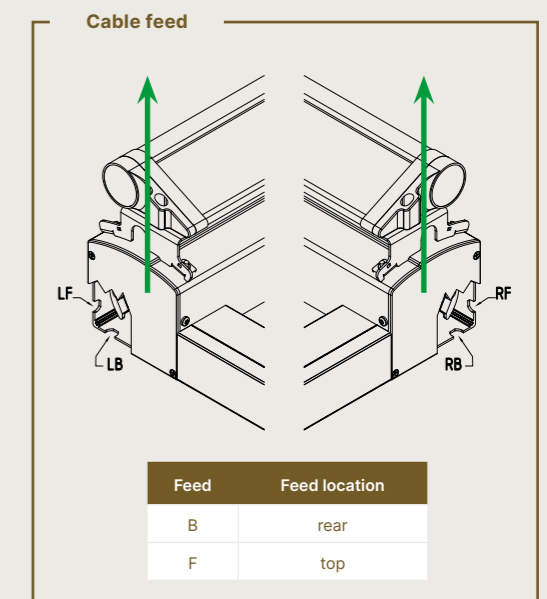
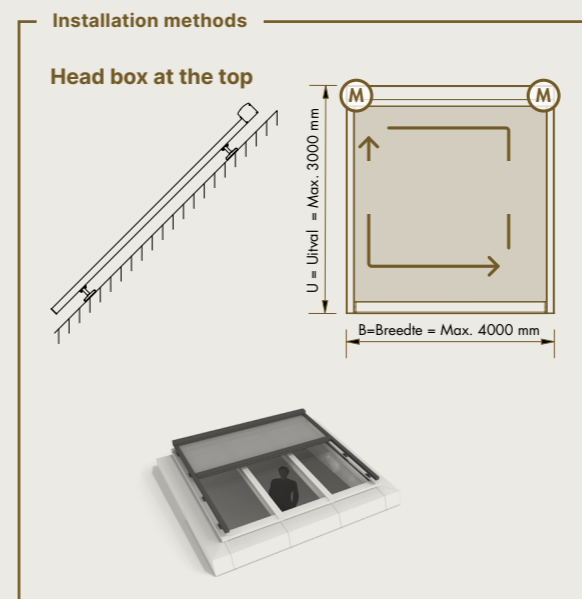
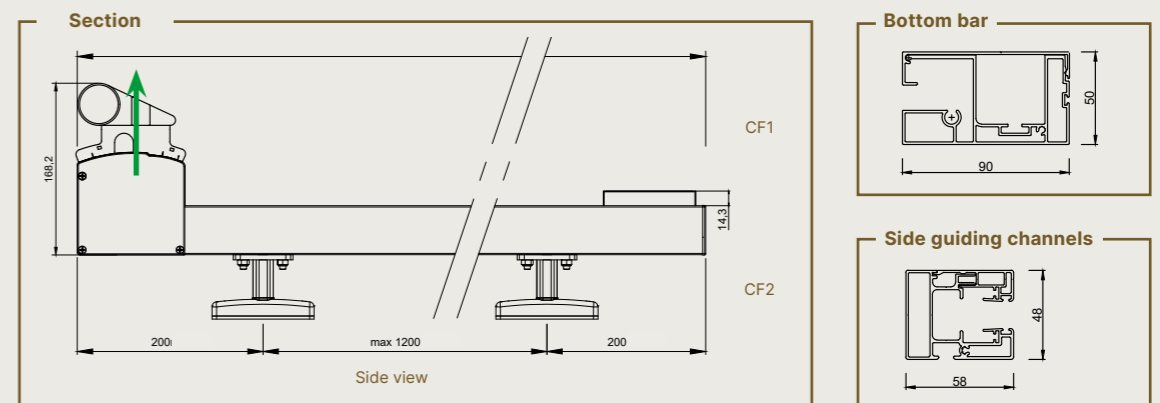
The Topfix Solar consists of a standard single Topfix equipped with a Solar wing. This rotatable wing can be mounted on the left or right side of the head box. If head box mounting is not optimal, the wing can also be placed loose in a more suitable position using the optional 3 m long cable.



Design	
Head box dimensions (HxD)	105 mm x 100 mm
Head box height, incl. mounted Solar wing	168 mm
Solar wing dimensions (HxWxD)	70 mm x 655 mm x 10 0mm
Head box extension	-
Retractable bottom bar	-
Base plate side guiding channel	-
Option separate solar wing	✓



Wind resistance		
Wind classification EN13561:2004	3	
Wind tunnel test report	N° EAR0852	
Control		
Rensonmotorradio-controlled, incl. solar kit	✓	
Certificates		
Declaration of Performance (DoP)	DOP-201409 – F003	
Dimensions		
Single screen		
Polyester fabric Soltis Horizon 86 / Soltis Perform 92	Min. width	1000 mm
	Max. width	4000 mm
Blackout polyester fabric Soltis Opaque B92	Max. projection	3000 mm
	Max. surface area	12 m ²
Linked screens		
Possible dimensions per section, per fabric type according to 'single screen' table The max total area is 24 m ² , of which 1 section is max 12 m ² . Required intermediate dimension (expansion): 1 mm per 1000 mm width		
Find out more about this new zenithal solar screen via the Renson Professional Portal 		



View your Topfix from the perspective from which you remove the fabric set (→). This determines the left or right cable feed option choice.

